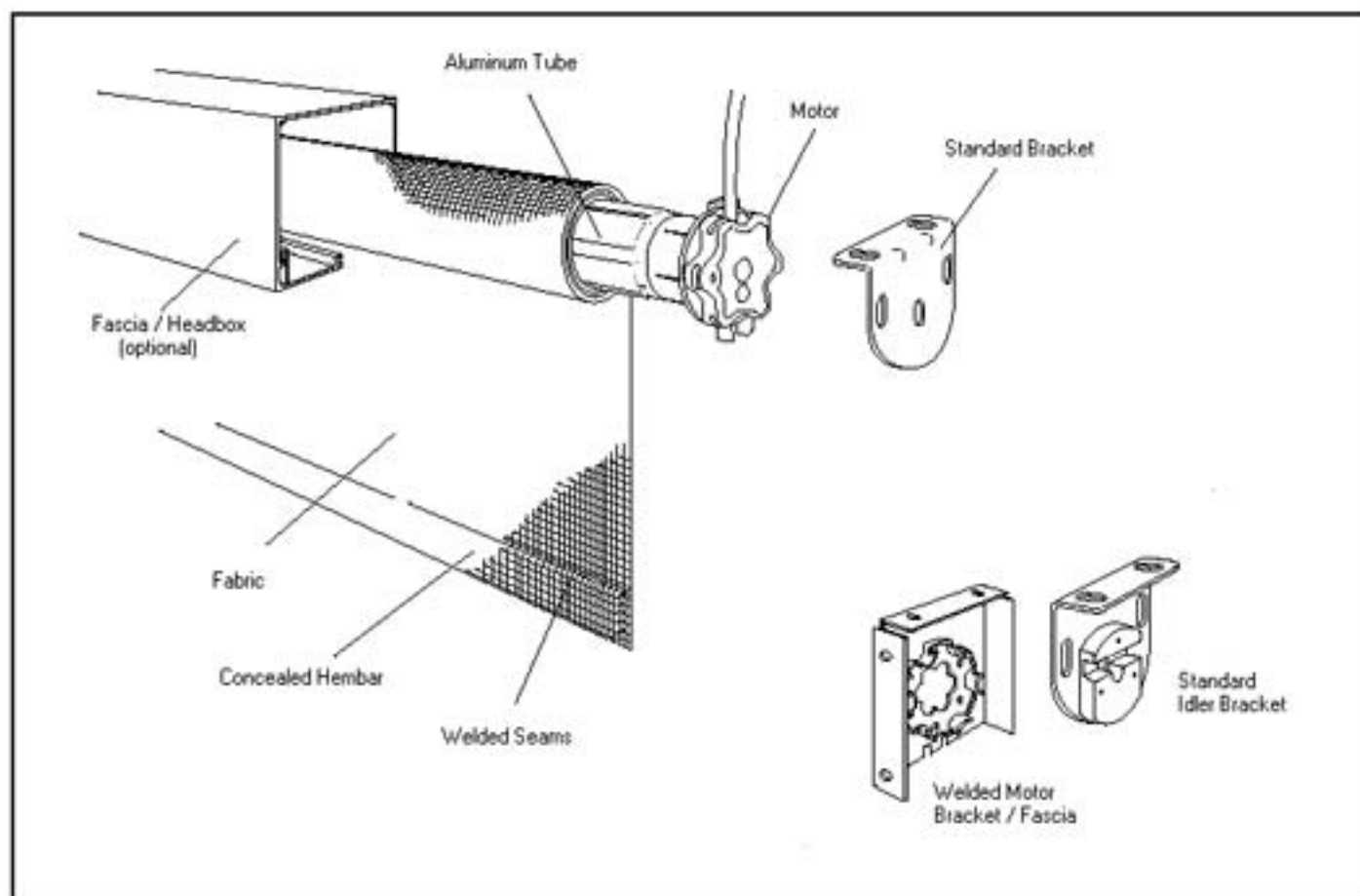


MOTOR SPECIFICATIONS



Motorized Shades

Motorizing shades is the state-of-the-art way of controlling the interior environment of commercial, institutional and residential structures. The shades offer maximum energy efficiency to assist in reducing a building's operational costs. They control glare, UV and direct sunlight, in addition to providing privacy, and a sense of security for all inhabitants.

The Motor

The tubular AC motors are 110 volts and designed to meet U.S. and international electrical standards. The motors come in several sizes, speeds and lift capacities for use with virtually any size window shade. The motors are fully encasulated for greater shock resistance, along with quieter operation. The

three components of tubular motors are the Limit Switches for adjusting the shade to the specific height and drop of the shade, the Motor and Brake designed for maximum strength and durability, and the Gear mechanism designed for versatility of lift speed output. 12V and 24V (low voltage) motors are also available.

Lift Capacities & Speed

Motors are designed to turn from 14-38 RPM and lift from 3 -100 pounds. Lifting capacities are based on the weight of the shade and the diameter of the tube.